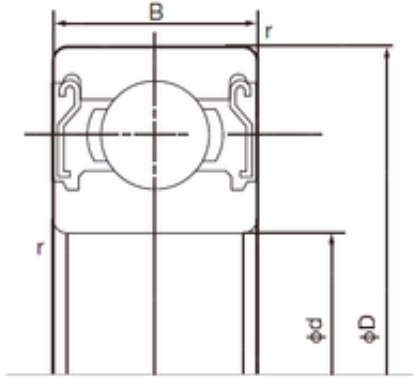




Lokong Bearing Co., Ltd.

55 mm x 100 mm x 21 mm Excavator Bearing AC4630



Bearing No. 6211ZZE

6211ZZE Bearing 2D drawings and 3D CAD models

Size	55x100x21 mm
Bore Diameter	55 mm
Outer Diameter	100 mm
Width	21 mm
d	55 mm
D	100 mm
B	21 mm
C	21 mm
r min.	1.5 mm
da min.	64 mm
Da max.	91 mm
ra max.	1.5 mm
Weight	0.607 Kg
Basic dynamic load rating (C)	43,5 kN
Basic static load rating (C0)	29,3 kN
Category	Single Row Ball Bearings
Inventory	0.0
Manufacturer Name	NACHI
Minimum Buy Quantity	N/A
Weight / Kilogram	0
EAN	4991893725803
Product Group	B00308
Enclosure	2 Metal Shields
Precision Class	ABEC 1 ISO P0
Maximum Capacity / Filling	No



Lokong Bearing Co., Ltd.

Slot	
Rolling Element	Ball Bearing
Snap Ring	No
Internal Special Features	No
Cage Material	Steel
Internal Clearance	C0-Medium
Inch - Metric	Metric
Long Description	55MM Bore; 100MM Outside Diameter; 21MM Outer Race Width; 2 Metal Shields; Ball Bearing; ABEC 1 ISO P0; No Filling Slot; No Snap Ring; No Internal Special Features; C0-Medium Internal Clearance; Ste
Other Features	Deep Groove
Category	Single Row Ball Bearing
UNSPSC	31171504
Harmonized Tariff Code	8482.10.50.68
Noun	Bearing
Keyword String	Ball
Manufacturer URL	http://www.nachiamerica.com
Bore	2.165 Inch 55 Millimeter
Outside Diameter	3.937 Inch 100 Millimeter
Outer Race Width	0.827 Inch 21 Millimeter
Inner Race Width	0 Inch 0 Millimeter
Bore Type	Cylindrical Bore
Configuration	Single Row
Bore Size	55 mm
Width	21 mm
Fillet Radius/Chamfer	1.5 mm
Dynamic Load Rating	43,500 N
Static Load Rating	29,300 N



Lokong Bearing Co., Ltd.

Limiting Speed - Grease	6,400 rpm
Factor f_0	14.4
Radial Clearance	0.008 to 0.028 mm
d_a (min)	64 mm
D_a (max)	91 mm
r_a (max)	1.5 mm